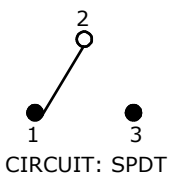


PCB LAYOUT

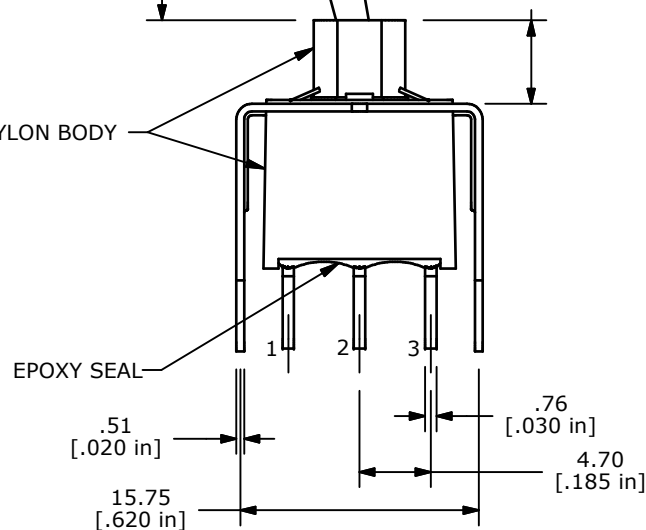
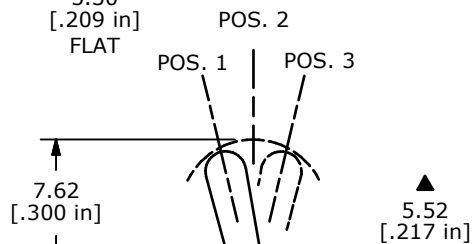
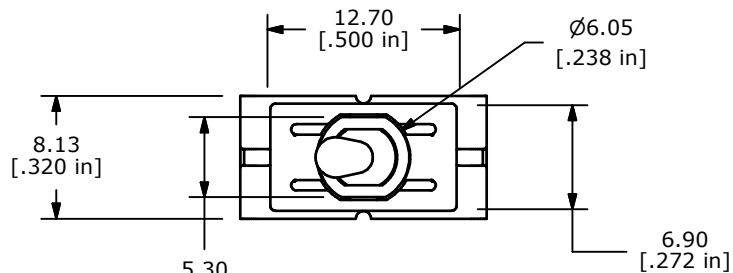
SWITCH FUNCTION		
POS. 1	POS. 2	POS. 3
(ON)	OFF	(ON)
2-3	OPEN	2-1

(ON) = MOMENTARY



NOTES:

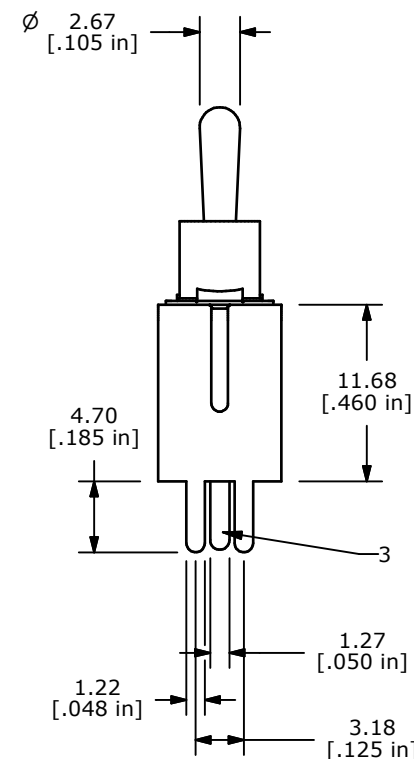
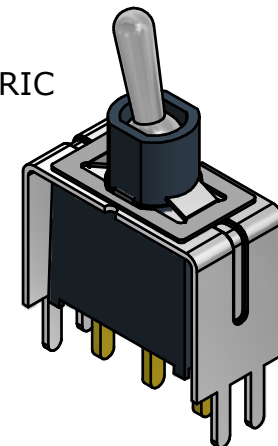
1. ALL DIMENSIONS IN MM [INCH]
2. GENERAL TOLERANCE: X.X=±0.4
X.XX=±0.25
3. TERMINAL NUMBERS FOR REF ONLY
- ▲ 4. PLATING MATERIAL: GOLD
5. RATING: 0.4VA MAX @ 20 VDC OR VAC
6. CONTACT RESISTANCE: 100 MILLI-OHM MAX.
- 7 LIFE EXPECTANCY: 30,000 MAKE-AND-BREAK CYCLES AT FULL LOAD.
- 8 INSULATION RESISTANCE: 1,000 MEGA-OHM MIN.
- 9 DIELECTRIC STRENGTH: 1,000 V RMS @SEA LEVEL.
10. PERATING TEMP.: -30°C to 85°C
- 11 DENOTES CRITICAL PARAMETER.
12. ▲002/95/EC (ROHS) COMPLIANT.



BLACK NYLON BODY

EPOXY SEAL

ISOMETRIC



TITLE 100AWSP4T2B4VS2RE - BLACK BODY

A	21097	RELEASED FOR PRODUCTION	4/10/13	EBP
REV	PCR NO	DESCRIPTION	DATE	BY

THE INFORMATION CONTAINED IN THIS DOCUMENT IS PROPRIETARY TO E-SWITCH AND IS NOT TO BE COPIED OR TRANSFERRED

SCALE	DATE	DR	DWG	REV
2:1	4/10/2013	BLR	T104015	A